



CAViDS



James W. Kamman

Associate Professor, Mechanical and Aeronautical Engineering

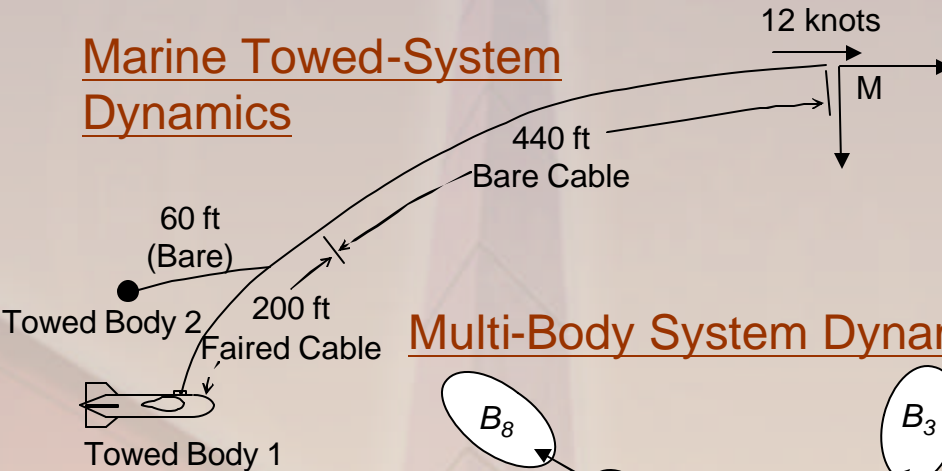
Specialty Area: Computational Multi-Body System Dynamics

Degree: Ph.D., University of Cincinnati (1982)

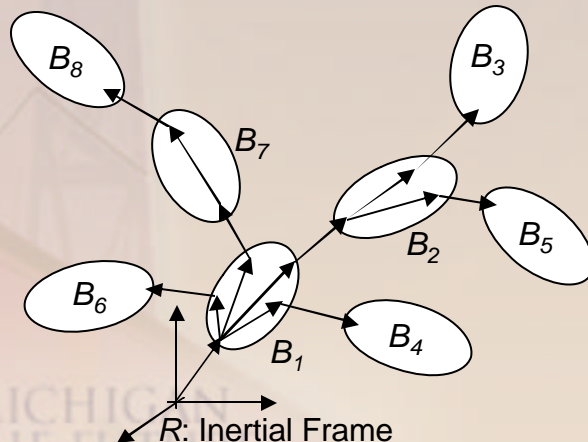
Related Past Affiliation: Naval Coastal Systems Center

Vehicle Research Highlights

Marine Towed-System Dynamics



Multi-Body System Dynamics



Dynamic Simulation Using Simulink

